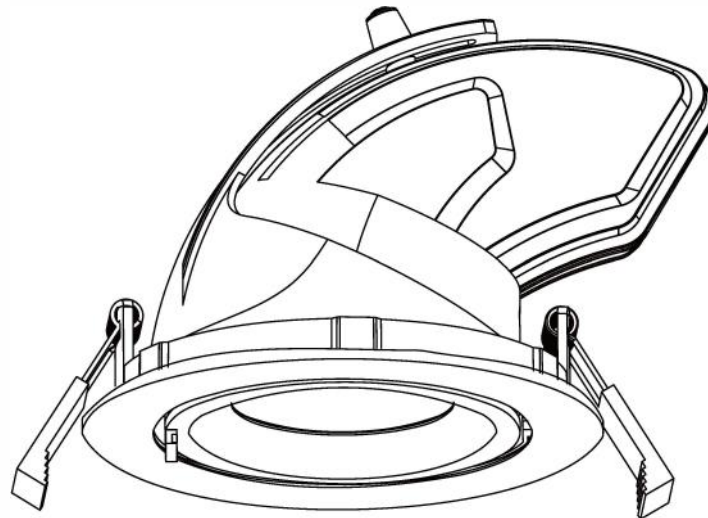


Firespot Large 160 Downlight

Installation / Maintenance Instructions

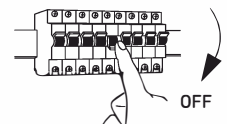
LIGHT FORMS




FSP160-DL

Precautions and Warnings

- Read all instructions carefully, the safety of this product is only guaranteed if the instructions are followed, retain these instructions for future use.
- Turn off the power supplier before installation and maintenance.
- Installation must be carried out by a trained professional in accordance with all National electrical codes and regulations.
- To avoid the risk of fire and overheating, make sure all connection, including those made by others, are correct and secure.
- Do not pinch or apply excessive tension on the electrical wires. Damage due to improper handling and installation will void the warranty.
- If there is any damage to the product or the cable, the product must be returned to the retailer or manufacturer.



Luminaire Details

Power Supply:	230V AC 50Hz
IP Rating:	IP65
Class:	
Ta Max:	45°C

Fixing Method:	Spring clip
Bezel Diameter:	160mm
Recess Depth:	128mm
Ceiling cutout	150mm
Ceiling Thickness range:	1-25mm

Light Forms
UK Head Office

LightForms.com

8 Richfield Avenue
Reading
RG1 8EQ

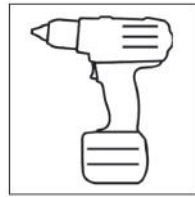
T +44 (0)20 8571 3785
E London@
LightForms.com

Firespot Large 160 Downlight

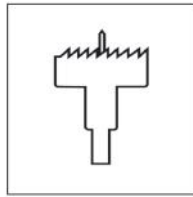
Installation / Maintenance Instructions

LIGHT FORMS

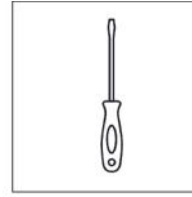
Tools for Installation



Drill



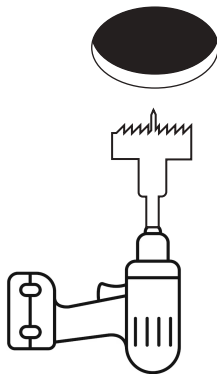
Holesaw 150mm



Screwdriver

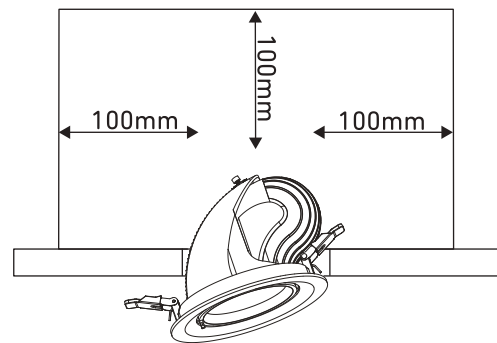
1

Cut 150mm diameter hole in ceiling



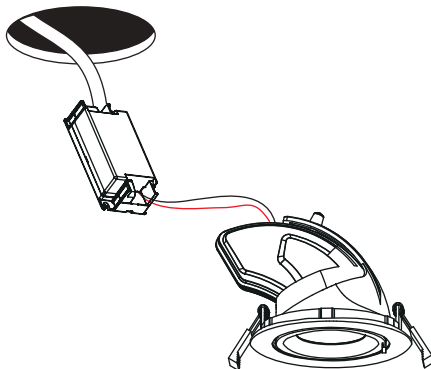
3

Insert luminaire, ensure 100mm clearance between luminaire and insulation. DO NOT COVER DRIVER.



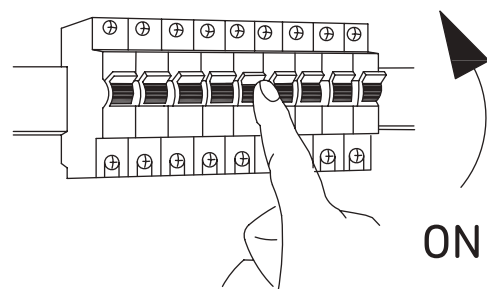
2

Make electrical connections to driver.



4

Turn on power.



See next page for wiring details.

Light Forms
UK Head Office

LightForms.com

8 Richfield Avenue
Reading
RG1 8EQ

T +44 (0)20 8571 3785
E London@
LightForms.com

Registered in England & Wales
No. 6750892

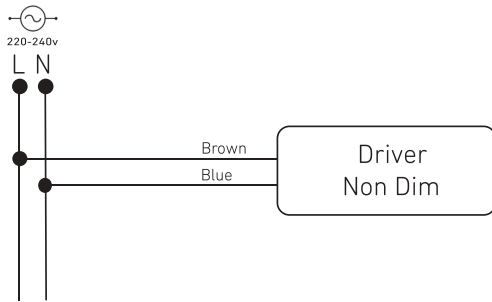
ISO 9001 Quality Management
ISO 14001 Environmental Management
ISO 45001 Occupational Health & Safety Management

Firespot Large 160 Downlight

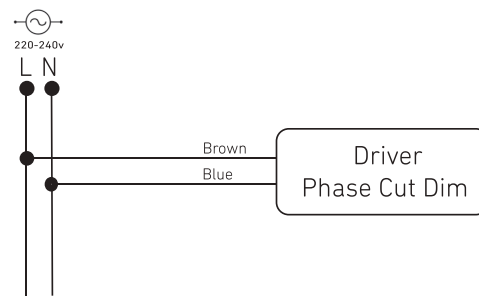
Installation / Maintenance Instructions

LIGHT FORMS

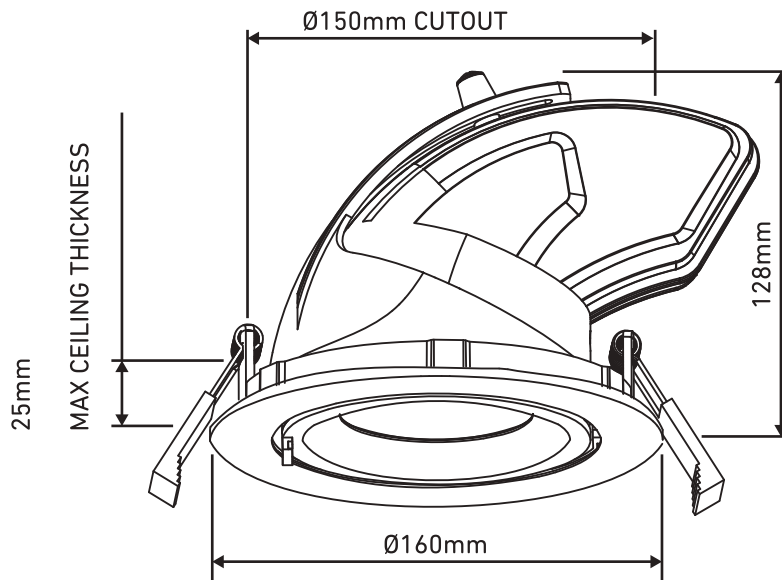
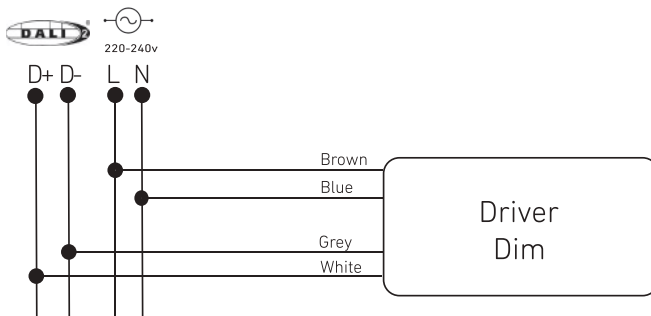
• Wiring Diagram for Non Dimmable Driver



• Wiring Diagram for Phase Cut Driver



• Wiring Diagram for DALI dimming Driver



Light Forms
UK Head Office

LightForms.com

8 Richfield Avenue
Reading
RG1 8EQ

T +44 (0)20 8571 3785
E London@
LightForms.com

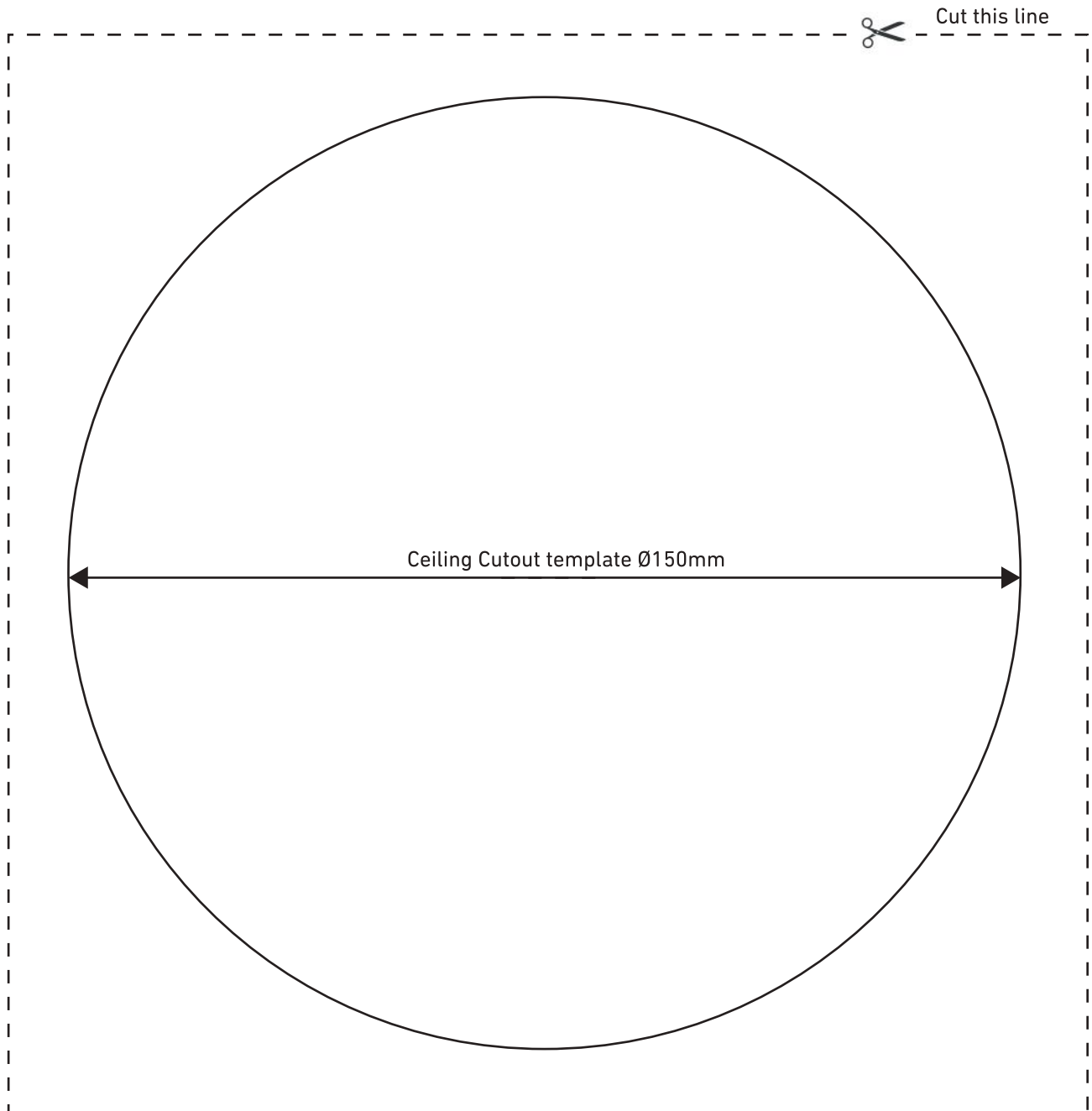
Registered in England & Wales
No. 6750892

ISO 9001 Quality Management
ISO 14001 Environmental Management
ISO 45001 Occupational Health & Safety Management

Firespot Large 160 Downlight

Installation / Maintenance Instructions

LIGHT FORMS



Light Forms
UK Head Office

LightForms.com

8 Richfield Avenue
Reading
RG1 8EQ

T +44 (0)20 8571 3785
E London@
LightForms.com

Registered in England & Wales
No. 6750892

ISO 9001 Quality Management
ISO 14001 Environmental Management
ISO 45001 Occupational Health & Safety Management